



## Finalmente Sink

Ranges

Code: US755009

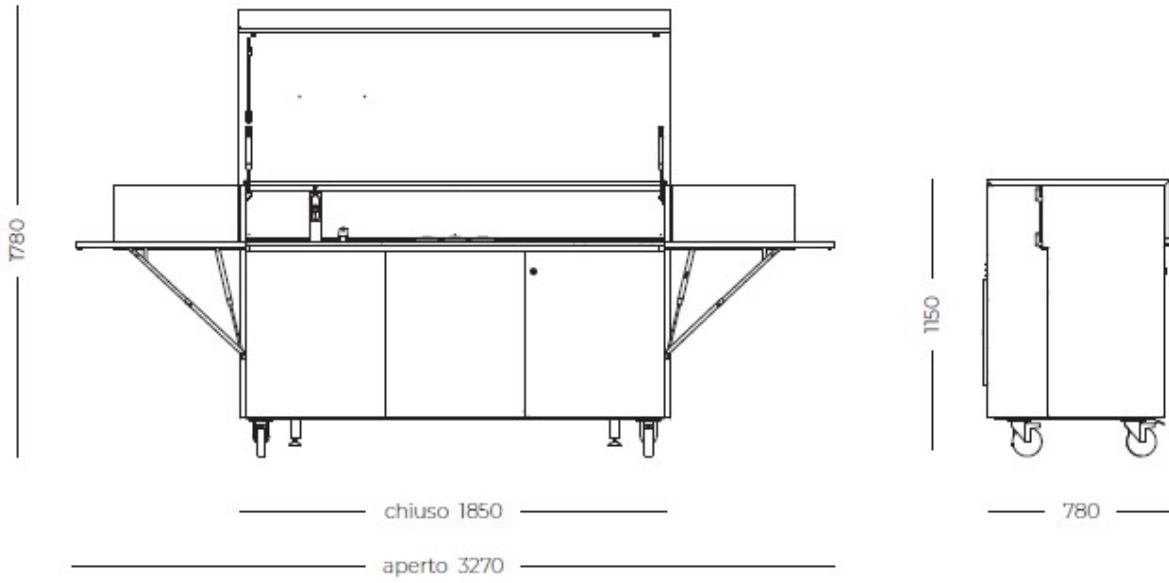


### DETAILS

Type	Sink
Material	Stainless steel AISI 316 L with alveolar aluminum support
Texture	Satin
Dimensions (open)	327 x 78 x (h)178 cm
Dimensions (closed)	185 x 78 x (h)115 cm
Front door equipment	60l undercounter refrigerator (class C) Compartment with shelf in HPL / stainless steel Pull-out drawer with differentiated story with 4 compartments
Wheels	Yes
Foster integrated products	1011 050 - Milano bowl 462 x 400 mm welded 8459 000 - F2000 mixer with extractable spout 8530 000 - Round dispenser

Weight	295 Kg
Framework	Lid with anti-closing locking system 2 opening side shelves 4 wheels (2 with locking system) 2 adjustable feet for laying on the ground
Lighting	3 LED lights (normal with twilight / motion sensor) with rechargeable battery and USB connector
Rear features	Electrical panel IP66 32A Wall-mounted single-phase plug 230V 32A IP66 Hot and cold water connection
Integrated equipped channel	Cup holder and plate holder 2 round containers of different depths Retractable socket holder (230V 16A IP66)
Accessories supplied	Waterproof PVC sheet (650 g / m2)

## TECHNICAL DATA



## GALLERY



## OPTIONAL ACCESSORIES



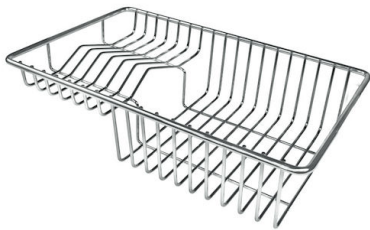
**Black Grid**  
8100 600



**Chopping Board**  
8642 000



**Chopping Board**  
8631 300



**Stainless Steel dishes holder**  
8100 303